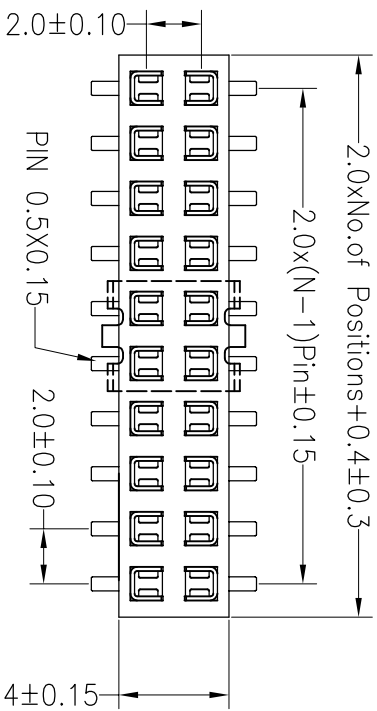


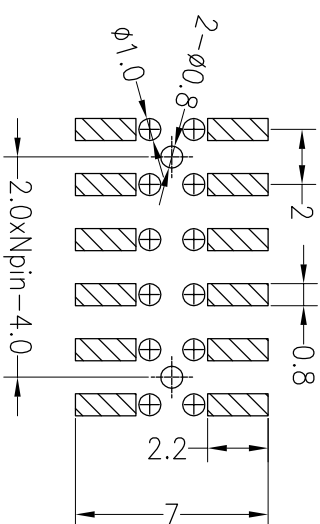
## SPECIFICATIONS

Rated Current: 1.5AMP  
 Contact Resistance: 20mΩ Max  
 Withstand Voltage: 500V AC/DC  
 Insulation Resistance: 1000MΩ Min  
 Operation Temperature: -40°C to +105°C

Contact Material: Phosphor Bronze  
 Contact Plating: Au or Sn Over Ni  
 Insulator Material: Polyester (UL94V-0)  
 Standard: PA6T  
 Max. Processing Temp: 230°C for 30-60 seconds  
 (260°C for 10 seconds)



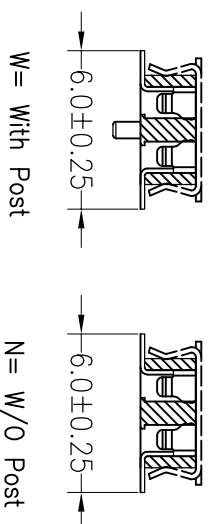
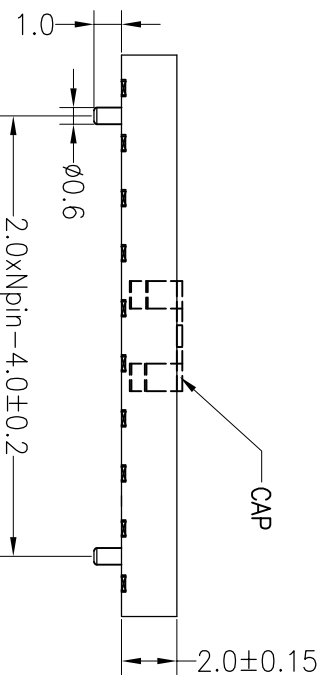
Recommended P.C.B Layout (Top Side)  
 (PCB BOARD TOLERANCE ± 0.05)



## Ordering Information

2320T 02 XX X X XX M U X01

No. of Pins Per Row: 2x2~2x40  
 Insulator Material Option:  
 A=BK-PBT  
 C=BK-PA6T  
 D=BK-PA46  
 E=BK-PA9T  
 F=BK-LCP  
 Post: W=With Post, N=W/O Post  
 Contact Plating:  
 G0: Gold Flash  
 G2: 5U" Gold  
 G3: 10U" Gold  
 G4: 15U" Gold  
 G5: 30U" Gold  
 S0: Gold Flash/Tin  
 SN: Tin  
 Packing:  
 0=PE Bag  
 A=Troy  
 T=Tube  
 P=Tube+Cap  
 R=Reel+Cap  
 M=Reel+Mylar  
 SN: Tin



OPERATION		DRAW		SCALE		FIT		TITLE:	
DIM	TOL	APPROVE	Y.YuSheng	12.04.18	UNIT	mm	A4	PART NO.	2.00PF H2.00mm 2xNpin SMT Bottom Entry
X.XX	±0.30	CHECK						2320T2XXXXXXMU(X01)(2)	
X.XX	±0.20								
X:XXX	±0.10								
Angle	±3°								
REV	DATE	MODIFICATION DESCRIPTION	CHANGE						
A0	2012.04.18	NEW DRAWING							
1									

**JILN** 深圳市锦凌电子有限公司  
 SHENZHEN JINLING ELECTRONIC CO.,LTD  
 Tel: 86-755-2997-5806/5802 Fax: 86-755-2997-5892