

SPECIFICATIONS

Rated(额定参数): 300V,8A  
 Dielectric strength(抗电强度): AC1500V/1 Minute  
 Insulation Resistance(绝缘电阻):1000MΩ Min  
 Contact Resistance(接触电阻):20mΩ Max  
 Temp. range(操作温度): -40℃~+105℃  
 MAX Soldering(瞬时温度):+250℃,5s  
 IEC Standard

Pollution degree	2
Overvoltage category	III
Rate impulse voltage(KV)	4KV
Rate voltage(V)	400V
Rate current(A)	32A

Housing Material(塑件): PA66 (UL94 V-0)  
 Nut(螺母):Brass(黄铜)  
 Contact(端子): Brass, Tin plating(黄铜镀锡)

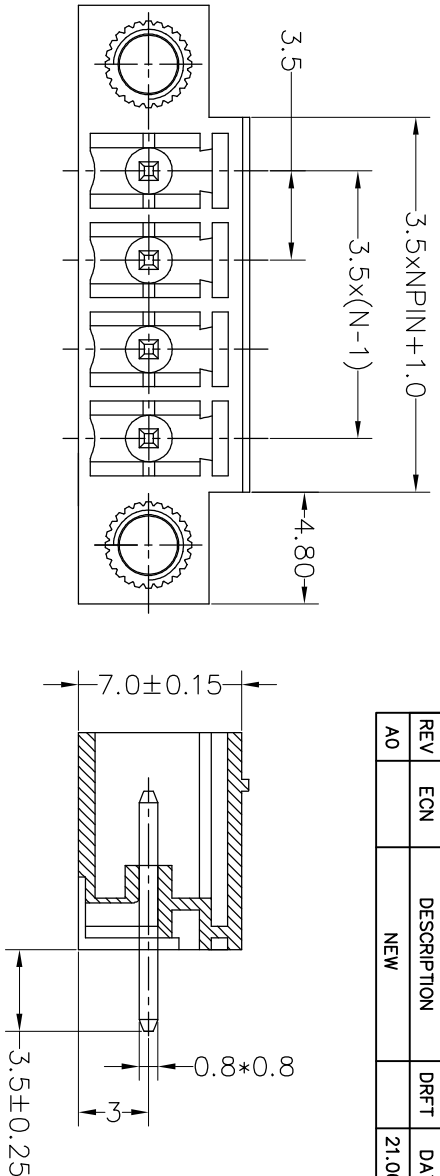
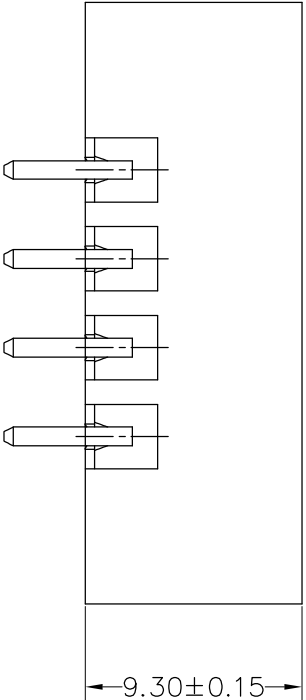
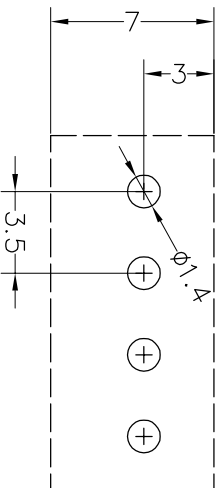
PITCH RANGE	NOMINAL DIMENSION RANGE	
	IN MM	IN MM
OVER 6	OVER 10	OVER 30
TO 6	TO 10	TO 30
OVER 10	OVER 24	OVER 60
TO 10	TO 24	TO 60
OVER 150	OVER 100	OVER 150
TO 150	TO 100	TO 150
±0.10	±0.15	±0.30
	±0.25	±0.30
	±0.30	±0.50
		±0.70
		±1.00

Ordering Information

JL15EDGVM - 350 XX G X 1

Pitch 350=3.5PH  
 No.of pins 2P~24P  
 Housing Color  
 B=Black  
 G=Green  
 U=Blue  
 R=Red  
 W=White  
 Y=Yellow  
 O=Orange  
 E=Grey  
 Packing  
 0=Pe bog  
 A=Tray  
 T=Tube

Recommended P.C.B Layout(Top Side)



REVISION RECORD				
REV	ECN	DESCRIPTION	DRFT	DATE
A0		NEW		21.06.02

DRAW	SHUANGPING ZHENG		SCALE	FIT	PART NO.	JL 15EDGVM-350XXG01
	CHECK	LICHAO LIU	UNIT	mm		
APPROVE	YONGLANG GAO		SIZE	A4	TITLE:	JL15EDGVM-3.5-XXP插拔式公座/带耳/绿色
			SHEET	1/1		
			PROJ.			

**JILIN** 东莞市锦凌电子有限公司  
 DONGGUAN JINLING ELECTRONIC CO., LTD